

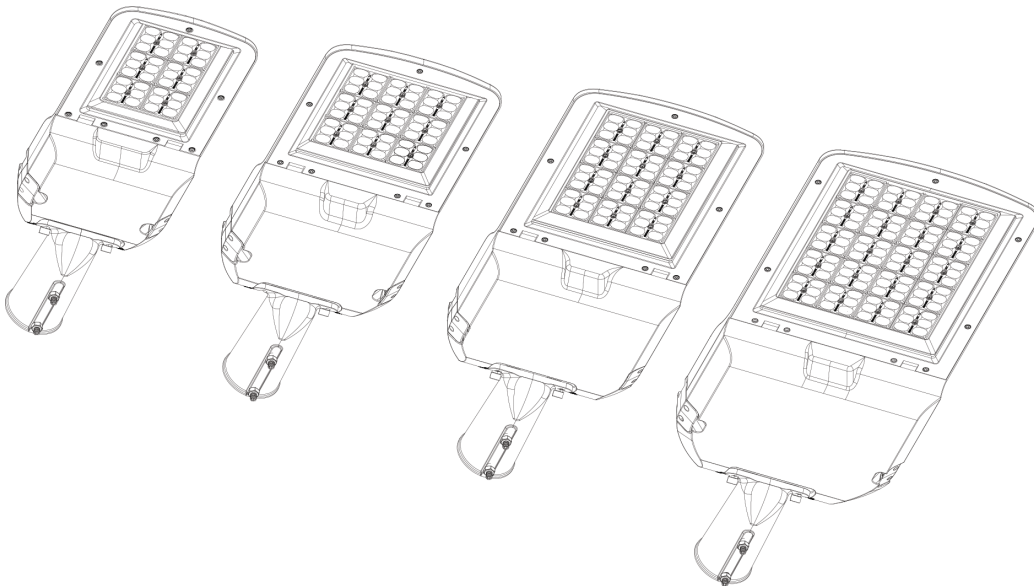
LUMINO^{PRO}

Streetlight



INSTALLATION GUIDE

Last updated on 8 Nov 2024

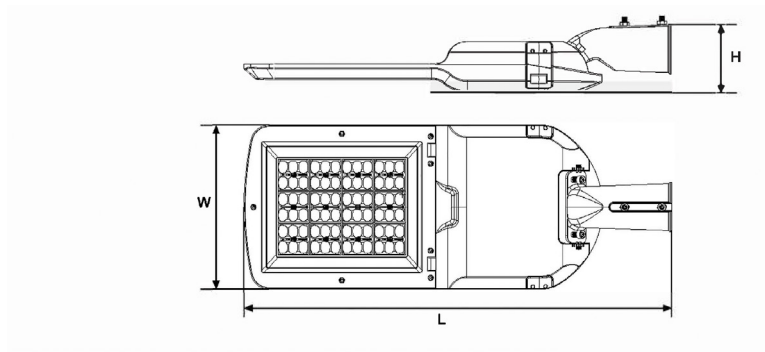


- Please read instruction carefully before assembling and installation
- Please keep instruction as reference in the future

Warning

1. Ensure that any installation and maintenance be performed by a qualified electrician and the luminaire is wired in accordance with the local wiring and relevant Australia standards.
2. Ensure that the power supply is off before starting installation and maintenance. Do not switch on until the installation or maintenance is completed.
3. The light source of this luminaire is non-user alternative light source, the light source contained in the luminaire shall only be replaced by the manufacturer of his service agent or a similar qualified person.
4. Make sure the products are grounded.
5. Power supply system should be equipped with SPD (Surge Protection Device) accordance with electrical regulations.
6. The products are suitable for outdoor use.
7. For luminaires with dimmable LED drivers reinforce insulation was provided between LV supply and output/dimming circuit.
8. For NEMA version, make sure to meet the waterproof requirement after installing the short cap or NEMA controller.
9. The luminaire should be positioned so that prolonged staring into the luminaire at a distance closer than 3m is not expected.

Product Specifications

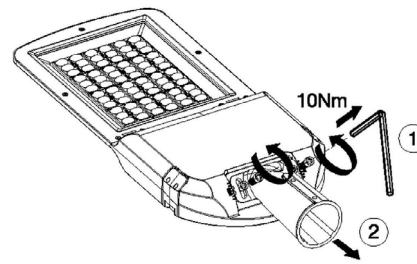


Shorting cap included. PE cell sold separately as accessory

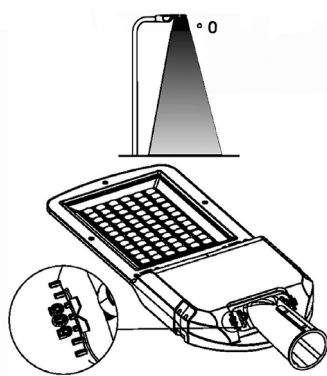
LUMINO PRO Streetlight	W (mm)	L (mm)	H (mm)	Wattage (W)	Installation height (m)	Weight (kg)	Voltage (v)	IP	IK	ta
LUMINO PRO 60W	200	562	142	60W	6-9	3.12	AC 220-240V 50Hz/ 60Hz	66	08	40°C
LUMINO PRO 90W	240	607	142	90W	8-11	4.28				
LUMINO PRO 120W				120W						
LUMINO PRO 150W	260	680	142	150W	9-12	4.56				
LUMINO PRO 180W				180W						
LUMINO PRO 200W	300	766	142	200W		6.36				
LUMINO PRO 240W				240W						

● How to install

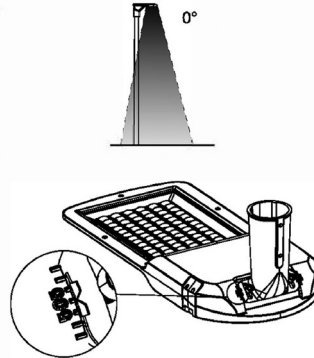
1. To change orientation of spigot, loosen or remove bolts used to secure the shaft.



2. Depending the type of lamp post, adjust the angle of the lamp head and secure the preferred position by tightening the screws.

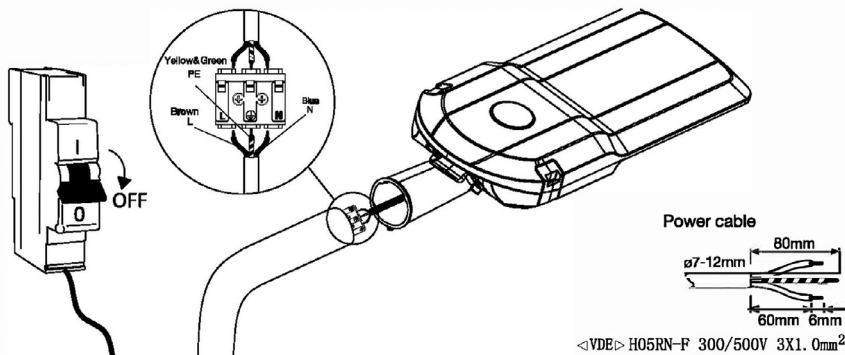


**Curved Arm Type
Streetlight Post**

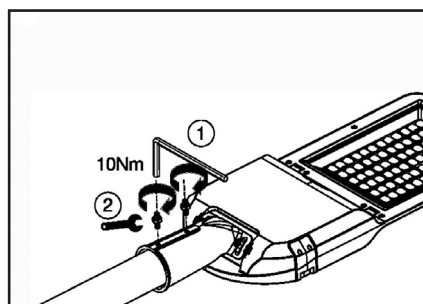


**Straight Arm Type
Streetlight Post**

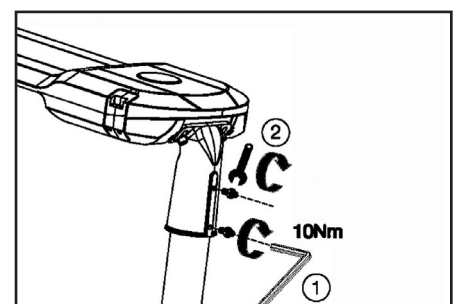
3. Ensure that the power is switched OFF. Connect the luminaire to main power using an IP rated terminal.



4. Secure the lamp by tightening the pole screws to prevent it from becoming unstable.

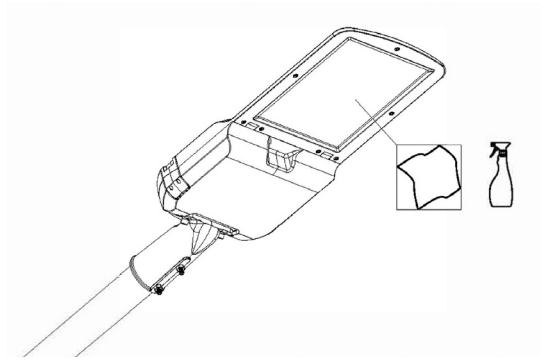


**Curved Arm Type
Streetlight Post**

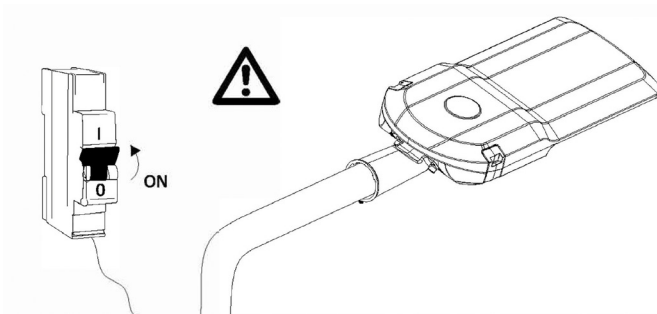


**Straight Arm Type
Streetlight Post**

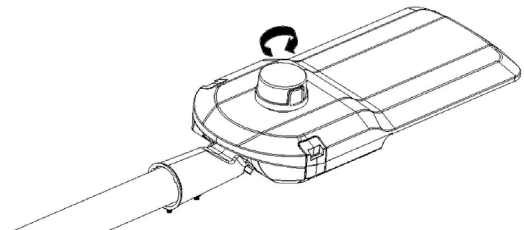
5. Gently cleanse the outer surface of the glass



6. Switch power ON and check that the luminaire is operational.



7. Note: Shorting cap must be attached to fitting to ensure fixture is operational. Shorting cap can be discarded if PE Cell is utilised.



Optional Accessories

PRODUCT CODE	DESCRIPTION
HSNEMAPE	HS ST IP65 PE CELL FOR NEMA SOCKET
HSWMBH4060	HS ST HORIZONTAL WALL MOUNTING BRACKET BLACK - SPIGOT SIZE 40-60mm
HSWMBV4060	HS ST VERTICAL WALL MOUNTING BRACKET BLACK - SPIGOT SIZE 40-60mm
HSSA6076	HS ST SPIGOT ADAPTOR BLACK - SIZE 60 -76mm

SERVICE CONTACT:



HANECO

Haneco Lighting Australia Pty Ltd
262 Marion Road, Netley, South Australia 5037
Haneco.com.au
1300 001 533